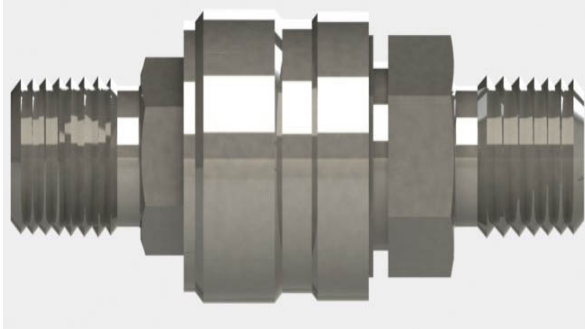




HIGH PRESSURE, FULL FLOW QUICK COUPLINGS QF SERIES

8250 Boyle Parkway Twinsburg, Ohio U.S.A. 44087 mySSP.com 1.330.425.4250



QF SERIES

Working pressures to 6000 psi • 316 Stainless Steel & Brass • 1/4", 3/8", 1/2", 3/4", & 1" • Full Flow (no shut off) coupling

SPECIFICATIONS								
TEMPERATURE °F (°C)	316 SS psig (bar)				BRASS psig (bar)			
	QF4	QF8	QF12	QF16	QF4	QF8	QF12	QF16
70 (20)	6000 (413)		4000 (275)		4000 (275)	3000 (206)	2000 (137)	
250 (121)* 400 (204) ^a	100 (6.8)							

Pressure ratings may be limited by end connections

* For Brass with Buna N O-Rings

^a For 316 SS with Viton O-Rings

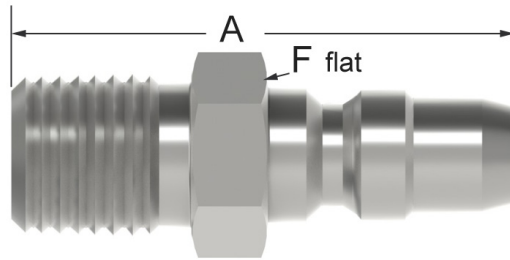
PART NUMBER CONFIGURATION

BASIC
ORDERING
NUMBER

MATERIAL
DESIGNATOR

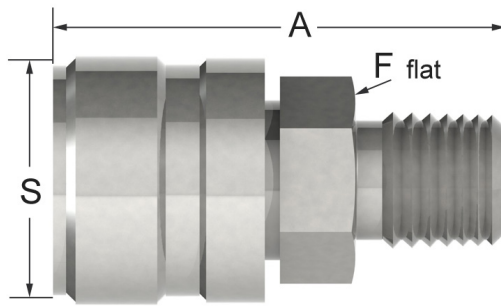
MATERIAL DESIGNATOR: Stainless Steel - 316 / Brass - B

Example: QF4-S-D4-316



STEM

END CONNECTION TYPE	FITTING SIZE	BASIC ORDERING NUMBER	SERIES	FLOW COEFFICIENT (Cv)	DIMENSIONS		
					A In. (mm)	F In.	Min Orifice In. (mm)
FRACTIONAL TUBE FITTING	1/4	QF4-S-D4	QF4	2.2	1.77 (45.0)	9/16	0.19 (4.8)
	3/8	QF4-S-D6	QF4	2.8	1.77 (45.0)	11/16	0.24 (6.1)
	3/8	QF8-S-D6	QF8	2.9	1.88 (47.8)	7/8	0.28 (7.1)
	1/2	QF8-S-D8	QF8	13.0	1.99 (50.5)	7/8	0.41 (10.4)
	3/4	QF12-S-D12	QF12	26.0	2.15 (54.6)	1 1/16	0.62 (15.7)
	1	QF16-S-16	QF16	45.0	2.45 (62.2)	1 3/8	0.88 (22.4)
METRIC TUBE FITTING	6	QF4-S-DM6	QF4	2.2	1.77 (45.0)	9/16	0.19 (4.8)
FEMALE NPT	1/4	QF4-S-4PF	QF4	1.7	1.60 (40.6)	3/4	0.24 (6.1)
	3/8	QF4-S-6PF	QF4	1.7	1.67 (42.4)	7/8	0.24 (6.1)
	3/8	QF8-S-6PF	QF8	7.1	1.59 (40.4)	1 1/16	0.47 (11.9)
	1/2	QF8-S-8PF	QF8	11.5	1.82 (46.2)	1 1/16	0.50 (12.7)
	3/4	QF12-S-12PF	QF12	23.6	2.08 (52.8)	1 5/16	0.72 (18.3)
	1	QF16-S-16PF	QF16	39.0	2.49 (63.2)	1 5/8	0.88 (22.4)
FEMALE ISO TAPERED	1/4	QF4-S-4FRT	QF4	1.7	1.60 (40.6)	3/4	0.24 (6.1)
	1/2	QF8-S-8FRT	QF8	11.5	1.82 (46.2)	1 1/16	0.50 (12.7)
FEMALE ISO PARALLEL	1/4	QF4-S-4FRS	QF4	1.7	1.60 (40.6)	3/4	0.24 (6.1)
	1/2	QF8-S-8FRS	QF8	11.5	1.82 (46.2)	1 1/16	0.50 (12.7)
MALE NPT	1/4	QF4-S-4PM	QF4	1.7	1.59 (40.4)	9/16	0.24 (6.1)
	3/8	QF4-S-6PM	QF4	1.7	1.59 (40.4)	11/16	0.24 (6.1)
	3/8	QF8-S-6PM	QF8	7.1	1.65 (41.9)	7/8	0.41 (10.4)
	1/2	QF8-S-8PM	QF8	11.5	1.84 (46.7)	7/8	0.50 (12.7)
	3/4	QF12-S-12PM	QF12	23.6	2.03 (51.6)	1 1/16	0.72 (18.3)
	1	QF16-S-16PM	QF16	39.0	2.35 (59.7)	1 3/8	0.88 (22.4)
MALE ISO TAPERED	1/4	QF4-S-4MRT	QF4	1.7	1.59 (40.4)	9/16	0.24 (6.1)
	1/2	QF8-S-8MRT	QF8	11.5	1.84 (46.7)	7/8	0.50 (12.7)
	1	QF16-S-16MRT	QF16	39.0	2.35 (59.7)	1 3/8	0.88 (22.4)
MALE ISO PARALLEL	1/4	QF4-S-4MRS	QF4	1.7	1.60 (40.6)	3/4	0.24 (6.1)
	1/2	QF8-S-8MRS	QF8	11.5	1.82 (46.2)	1 1/16	0.50 (12.7)



BODY

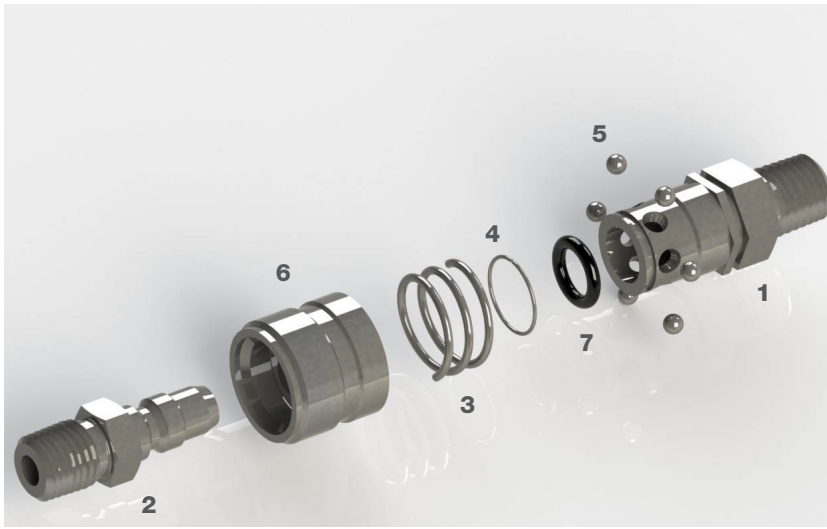
END CONNECTION TYPE	FITTING SIZE	BASIC ORDERING NUMBER	SERIES	DIMENSIONS			
				A In. (mm)	F In.	S In. (mm)	Min Orifice In. (mm)
FRACTIONAL TUBE FITTING	1/4	QF4-B-D4	QF4	1.80 (45.7)	11/16	0.87 (22.1)	0.19 (4.8)
	3/8	QF4-B-D6	QF4	1.81 (46.0)	11/16	0.87 (22.1)	0.28 (7.1)
	3/8	QF8-B-D6	QF8	2.17 (55.1)	1 1/16	1.30 (33.0)	0.28 (7.1)
	1/2	QF8-B-D8	QF8	2.23 (56.6)	1 1/16	1.30 (33.0)	0.47 (11.9)
	3/4	QF12-B-D12	QF12	2.45 (62.2)	1 1/2	1.66 (42.2)	0.62 (15.7)
	1	QF16-B-D16	QF16	2.75 (69.9)	1 11/16	1.88 (47.8)	0.88 (22.4)
METRIC TUBE FITTING	6	QF4-B-DM6	QF4	45.7 (1.80)	11/16	22.1 (0.87)	4.8 (0.19)
FEMALE NPT	1/4	QF4-B-4PF	QF4	1.50 (38.1)	3/4	0.87 (22.1)	0.38 (9.7)
	3/8	QF4-B-6PF	QF4	1.63 (41.4)	7/8	0.87 (22.1)	0.38 (9.7)
	3/8	QF8-B-6PF	QF8	1.73 (43.9)	1 1/16	1.30 (33.0)	0.59 (15.0)
	1/2	QF8-B-8PF	QF8	1.73 (43.9)	1 1/16	1.30 (33.0)	0.63 (16.0)
	3/4	QF12-B-12PF	QF12	1.89 (48.0)	1 1/2	1.66 (42.42)	0.88 (22.4)
	1	QF16-B-16PF	QF16	2.12 (53.8)	1 11/16	1.88 (47.8)	1.06 (26.9)
FEMALE ISO TAPERED	1/4	QF4-B-4FRT	QF4	1.50 (38.1)	3/4	0.87 (22.1)	0.38 (9.7)
	1/2	QF8-B-8FRT	QF8	1.73 (43.9)	1 1/16	1.30 (33.0)	0.63 (16.0)
FEMALE ISO PARALLEL	1/4	QF4-B-4FRS	QF4	1.50 (38.1)	3/4	0.87 (22.1)	0.38 (9.7)
	1/2	QF8-B-8FRS	QF8	1.73 (43.9)	1 1/16	1.30 (33.0)	0.63 (16.0)
MALE NPT	1/4	QF4-B-4PM	QF4	1.57 (39.9)	11/16	0.87 (22.1)	0.25 (6.4)
	3/8	QF4-B-6PM	QF4	1.57 (39.9)	11/16	0.87 (22.1)	0.37 (9.4)
	3/8	QF8-B-6PM	QF8	1.83 (46.5)	1 1/16	1.30 (33.0)	0.41 (10.4)
	1/2	QF8-B-8PM	QF8	2.08 (52.8)	1 1/16	1.30 (33.0)	0.50 (12.7)
	3/4	QF12-B-12PM	QF12	2.33 (59.2)	1 1/2	1.66 (42.2)	0.72 (18.3)
	1	QF16-B-16PM	QF16	2.65 (67.3)	1 11/16	1.88 (47.8)	0.88 (22.4)
MALE ISO TAPERED	1/4	QF4-B-4MRT	QF4	1.57 (39.9)	11/16	0.87 (22.1)	0.24 (6.1)
	1/2	QF8-B-8MRT	QF8	2.08 (52.8)	1 1/16	1.30 (33.0)	0.50 (12.7)
	1	QF16-B-16MRT	QF16	2.65 (67.3)	1 11/16	1.88 (47.8)	0.88 (22.4)
MALE ISO PARALLEL	1/4	QF4-B-4MRS	QF4	1.80(45.7)	3/4	0.87 (22.1)	0.24 (6.1)
	1/2	QF8-B-8MRS	QF8	2.08 (52.8)	1 1/16	1.30 (33.0)	0.47 (11.9)

Flow coefficient (Cv) based on minimum orifice of stem. See stem for assembly Cv.

CALCULATING ASSEMBLY LENGTHS

To calculate the overall length of an SSP Full Flow Quick Connect in the coupled position, subtract the dimension at right from the overall length of the stem and body length combined.

SERIES	DEPTH In. (mm)
QF4	0.78 (19.8)
QF8	0.81 (20.6)
QF12	0.90 (22.9)
QF16	0.94 (23.9)



SAFETY

Never rotate quick-connects when coupled. Do not insert foreign objects into uncoupled stems or bodies.

MATERIALS OF CONSTRUCTION			
COMPONENT		316 SS	BRASS
1	BODY	316 SS	BRASS
2	STEM	316 SS	BRASS
3	SPRING	302 SS 316 SS	302 SS 316 SS
4	SNAP RING	302 SS 316 SS	302 SS 316 SS
5	LOCKING BALLS	316 SS	316 SS
6	SLEEVE	316 SS	BRASS
7	O-RING	VITON	BUNA N
LUBRICANTS		SILICONE AND PTFE BASED	SILICONE AND PTFE BASED

SAFETY LOCKS

Safety locks prevent accidental coupling and uncoupling. They can be used as part of a plant's Lockout/Tagout program. Safety locks can be ordered for 1/4", 3/8", 1/2" and 3/4" bodies.



SAFETY LOCKS	
COMPONENT	MATERIAL
PROTECTOR	316 SS OR PLATED BRASS
LANYARD	302 SS
LANYARD CLAMP	304 SS

CAPS AND PLUGS

Use SSP stem plugs and body caps to protect against damage and contaminants when SSP Full Flow Quick Connects are uncoupled. Body caps and stem plugs are pressure containing. They can be used to retain system pressure.

To order, select a basic ordering number and add the suffix -316 for stainless steel or -B for brass.

Example: QF4-SP-316

SERIES	BASIC ORDERING NUMBER	
	STEM PLUGS	BODY CAPS
QF4	QF4-SP	QF4-BC
QF8	QF8-SP	QF8-BC
QF12	QF12-SP	QF12-BC
QF16	QF16-SP	QF16-BC

MATERIALS	
COMPONENT	MATERIAL
PROTECTOR	316 SS OR PLATED BRASS
LANYARD	302 SS
LANYARD CLAMP	304 SS



Please consider total system design considerations when selecting products to ensure safe, trouble-free performance. Function, material compatibility, adequate ratings, proper installation, operation, and maintenance are the responsibilities of the system designer and user.

VITON® is a registered trademark of E.I. du Pont de Nemours, Duolok®, Unilok®, Griplok®, TruFit® and FloLok® are registered trademarks of SSP.

Visit www.mySSP.com for the controlled version of data.

SSPQFSS-00-11A