



At SSP, we are proud to be an American manufacturing success story.

100% of our products are made in America. All of our manufacturing is performed in our 165,000 sq. ft. facility located near Cleveland, Ohio. Our facility is the largest vertically integrated, single-site operation in the industry. In addition to manufacturing and assembly, we have closed die forging, tool & die design, product engineering and testing operations under the same roof with customer service and management.

Made in America is good business. Not only do we make everything in America, we use American suppliers too. Buying American allows us to have better quality control and a more reliable supply chain. We can work more closely within our walls and with our suppliers to improve quality, reduce costs, and shorten lead times, which means faster service and better products for you.

Support where it counts. SSP products and services are supported by more than 4000 people and 350 distributor locations around the globe. For a distributor near you, contact SSP Customer Service or visit www.mySSP.com/distributors.

Materials	
Fittings	Corrosion resistant steel Class 316, Code K, per QQ-S-763
Seals*	Straight thread O-Ring Acrylonitrile-Butadiene (NBR) 90-durometer
	Nose seals Tetrafluoroethylene resin (TFE) per MIL-R-8791
Tube OD Sizes	
1/4" – 2"	

Temperature

Recommended Temperature	
TFE Seals	-320°F to 300°F

Pressure (Static)

Predicated on using stainless steel fittings and adequate tubing

Tube O.D.	Maximum Working Pressure PSI
1/4	9,900
3/8	6,900
1/2	7,400
3/4	7,000
1	6,500
1 1/4	6,300
1 1/2	5,600
2	5,500

Torque

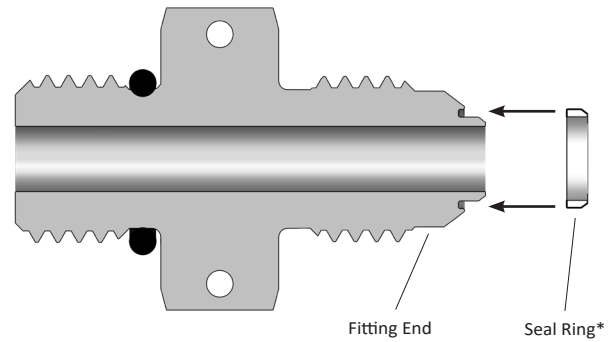
Apply Torque to minimum values. Back off one-quarter turn and re-tighten to minimum value. If leak occurs, vent line pressure and tighten nut to maximum torque.

Type of Fittings	Positionable Fittings, O-Ring Boss Fittings		Tube Assemblies Swivel Fittings		Bulkhead Nut	
	in/lbs Torque Value					
Tube O.D.	MIN	MAX	MIN	MAX	MIN	MAX
1/4	55	80	135	185	75	100
3/8	100	150	270	345	150	200
1/2	180	230	450	525	200	250
5/8	200	300	510	700	285	380
3/4	420	600	900	1100	450	650
1	600	840	1200	1400	650	900
1 1/4	720	960	1500	1800	800	1000
1 1/2	840	1080	2000	2300	900	1100
2	1000	1300	3200	3600	900	1100

Nose Seals

Provide superior protection against leakage in difficult to seal applications.

To achieve this superior sealing capability, a trepan groove is machined into the 37° flare, and a seal ring (TFE) is inserted. When assembled with the tubing, the primary seal is metal to metal. A secondary seal is Teflon to metal.



Reference: KSC-SPEC-Z-0008

* All UltraFlare® "KJ" Virgin PTFE seal rings need to be orderd separately.



UltraFlare® KJ

Tube Fittings

Ultraflare® KJ tube fittings meet all of the requirements for flared tube fittings, including adjustable and swivel elbows, reducers, and tees suitable for use in accordance with KSC-SPEC-Z-0008.

UltraFlare® KJ fittings are designed to the requirements of KSC-GP-425 and AS1098 that are manufactured from Type 316 corrosion-resistant steel, condition A (code K), in accordance with QQ-S-763.

 KJ-TR AS1097 KC103 AA1203	 KJ-TER-2 AS4301 KC106 AA1206	 KJ-SRT AS4302 KC107 AA1207	 KJ-GE AS4303 KC108 AA1208	 KJ-SBT AS4304 KC109 AA1209
 KJ-GRT AS4305 KC110 AA1210	 KJ-GBT AS4306 KC111 AA1211	 KJ-GC AS4307 KC112 AA1212	 KJ-BRTX AS1365 KC114 AA1214	 KJ-C AS4309 KC116 AA1216
 KJ-X AS1367 KC117 AA1217	 KJ-E AS1250 KC118 AA1218	 KJ-T AS1252 KC123 AA1223	 KJ-BUX AS1100 KC124 AA1224	 KJ-LHU AS1368 KC125 AA1225
 KJ-LHU AS1251 KC126 AA1226	 KJ-P AS1369 KC130 AA1230	 KJ-SE AS4315 KC131 AA1231	 KJ-GC AS4317 KC133 AA1233	 KJ-GC AS4319 KC135 AA1235
 KJ-N AS4326 KC142 AA1242	 KJ-S AS4327 KC143 AA1243	 KJ-BUX AS4328 KC144 AA1244	 AKJ-Z-2 AS4329 KC150 AA1250	 KJS-U AS4347 KC171 AA1271
 KJ-OU AS1275 KC175 AA1275	 K-BN AS5178 AN924			



* Above images show UltraFlare® "KJ" fittings with Virgin PTFE seal rings which need to be ordered separately.



How to Order UltraFlare® KJ Fittings

- ① Select the Family Designator from the Chart A. Example: KJ12-8GC
- ② Add the Tube Size from Chart B. Example: KJ12-8GC
- ③ Add the Thread Size from Chart C. Example: KJ12-8GC
- ④ Add the Type of Fitting from Chart D. Example: KJ12-8GC
- ⑤ If part doesn't come with lockwire holes as standard add -2wire to the end of your part. For example KJ4LHU-2WIRE



Family Connection1 Connection2 Type Options

A **B** - **B** **D** - **E**

C

KJ 8 GC
 KJ 6 - 4 LHU - 2WIRE

Final Part Number
KJ8GC
KJ6-4LHU-2WIRE

A

FAMILY DESIGNATION	
KJ	UltraFlare®

B

TUBE SIZE	
4	1/4
6	3/8
8	1/2
12	3/4
16	1
20	1-1/4
24	1-1/2
32	2

C

THREAD SIZE		
	ANPT	SAE
2	1/8 - 27	5/16 - 24
4	1/4 - 18	7/16 - 20
6	3/8 - 18	9/16 - 18
8	1/2 - 14	3/4 - 16
12	3/4 - 14	1 1/16 - 12
16	1 - 11 1/2	1 5/16 - 12
20	1 1/4 - 11 1/2	1 5/8 - 12
24	1 1/2 - 11 1/2	1 7/8 - 12
32	2 - 11 1/2	2 1/2 - 12

E

OPTIONS	
2WIRE	Lock wire holes

D

CONFIGURATION TYPE			
BRTX	Bulkhead Run Tee without Bulkhead Nut	SC	Female Swivel Straight
BUX	Bulkhead Union without Bulkhead Nut	SE	Female Swivel Elbow
C	Tube to Male Pipe Thread	SRT	Female Swivel Run Tee
E	Union Elbow	T	Union Tee
GBT	SAE Straight Thread Branch Tee	TER-2	Tube End Reducer
GC	Tube to SAE Straight Thread	U	Swivel Union
GE	SAE Straight Thread Elbow	X	Union Cross
GRT	SAE Straight Thread Run Tee	LHU	Large Hex Union
P	Plug	OU	Orifice Union
SBT	Female Swivel Branch Tee		

* All UltraFlare® "KJ" Virgin PTFE nose seals need to be ordered separately.

Standard seals are NBR on straight thread ends.

Other Options may be available. Contact SSP for availability.

All KJ fittings are class 3A/3B threads per MIL-S-8879

SSP

Founded 1926

Privately owned, third generation business

Modern single-site vertically integrated manufacturing facility

DFARS-compliant raw material

ISO 9001 quality management system

Limited Lifetime Warranty

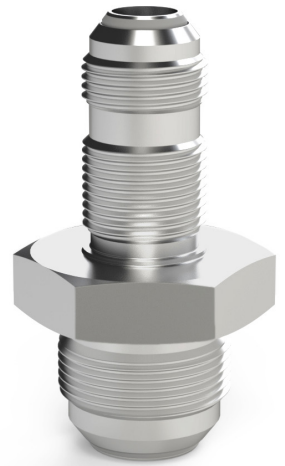
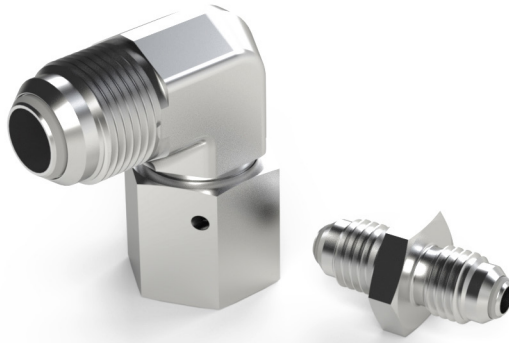
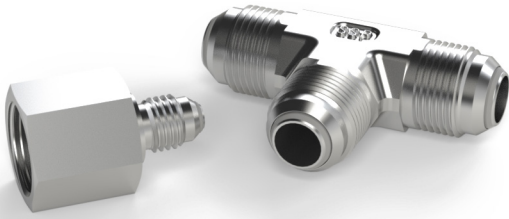


8250 Boyle Parkway • Twinsburg, OH 44087
330-425-4250 • www.mySSP.com

©2026 SSP Corporation. All rights reserved.

KJTF-26B

SSP



UltraFlare[®] KJ Tube Fittings

