

SSP warrants the performance of our instrumentation tube fittings assembled with intermixed and interchanged components from Swagelok®, Parker Hannifin®, and Hoke®. Each family of SSP instrumentation fittings are designed, manufactured, and quality controlled to provide the same level of leak-free performance as their compatible brands. The tables below outline the compatibility of SSP instrumentation fittings with those of other brand names.

SSP Design	Interchanges with the following compatible fittings
Duolok	Swagelok, Parker A-lok, Parker CPI, Hoke Gyrolok
Unilok	
Griplok	

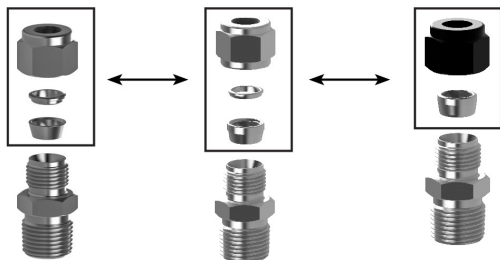
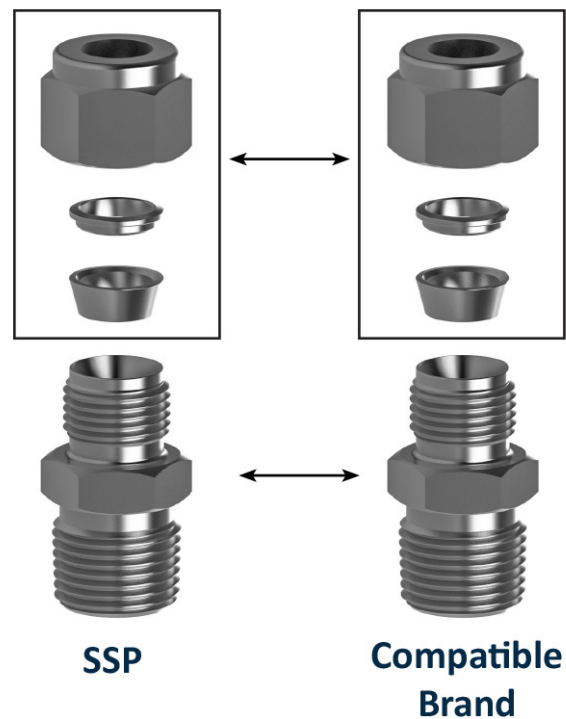
SSP Design	Intermixes with the following compatible fittings
Duolok	Swagelok, Parker A-Lok
Unilok	Parker CPI
Griplok	Hoke Gyrolok

As shown above, there are two different types of compatibility: interchange and intermix.

INTERCHANGE

Interchange means that the nut and ferrule(s) combination from SSP can be assembled with the body of a compatible brand, and vice-versa, to produce a working, leak-tight fitting. Interchange is illustrated in the image below. Fitting interchangeability means that SSP customers with other compatible brands of fittings in their instrumentation systems can freely replace tubing and discard the old end connections. By using new SSP end connections, they can connect to any valve, pump, gauge or fitting body and know the new connection will be trouble-free.

SSP tube fittings are also interchangeable within the SSP brands Duolok, Unilok, and Griplok. This means that the nut and ferrule(s) from any of the three brands can safely be used across any body within the three brands.

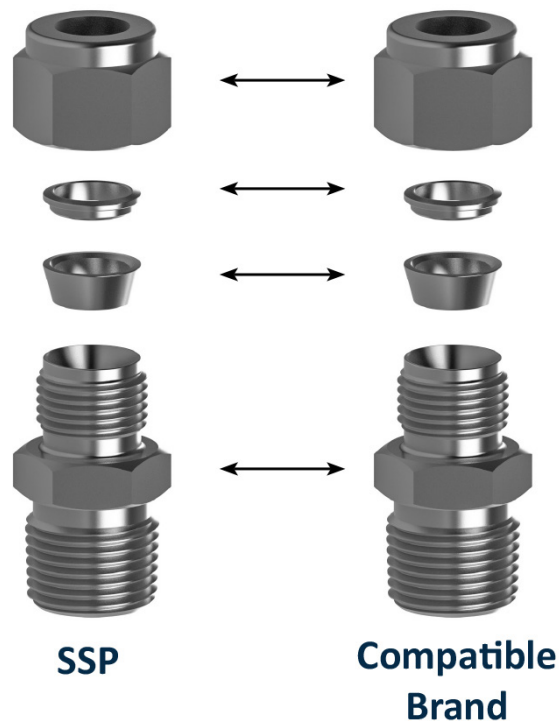


Duolok® **Griplok®** **Unilok®**

Interchange and Intermix are both SSP approved practices, as long as they are performed with the approved compatible brands.

INTERMIX

Intermix means that any combination of SSP tube fitting components can be used with the components of a compatible brand giving the user the opportunity to achieve maximum safety and value. Intermix is illustrated in the image below. Since both products are manufactured to precise tolerances under rigorous quality control procedures, the components can be intermixed and still deliver safe and reliable performance, provided that they are used in accordance with SSP Fittings' published installation and service recommendations.



SSP's intermixability means SSP tube fitting components can be used as replacements for components in compatible fitting assemblies, providing the ultimate flexibility for SSP customers in their instrumentation systems.



*Swagelok® is a registered trademark of the Swagelok Company
 A-lok® and CPI™ are registered trademarks of Parker Hannifin Corp.
 Gyrolok® is a registered trademark of Hoke Inc.*